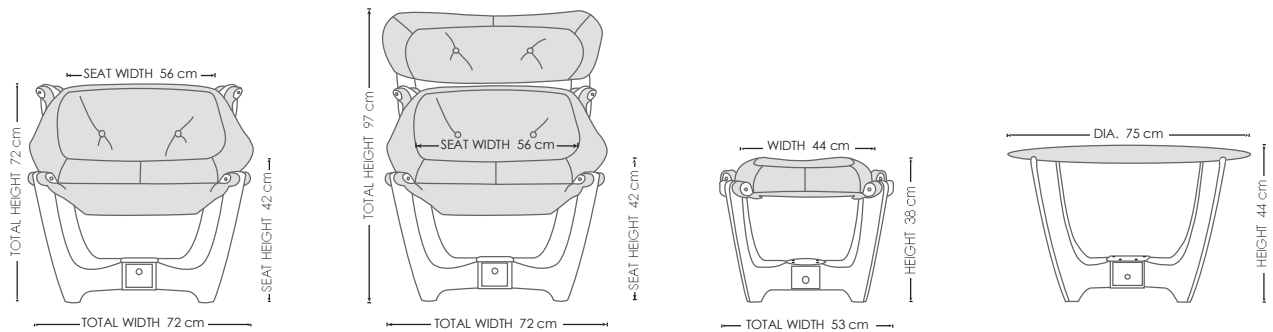


FACTS ABOUT THE LUNA CHAIR & ACCESSORIES



DIMENSIONS



BENEFITS

ONLY THE FINEST MATERIALS Precision cut and temper-bonded laminated wood frame with steel interior structure provides a foundation framework that will endure decades of constant use.

SOFT, SUBTLE LEATHER Only the finest and most durable leather provides the structure required for the Luna Chair's unique Floating Suspension™.

REMARKABLY ADAPTABLE resilient padded seat individually adapts to every person who experiences the Luna Chair's surprising comfort.

QUALITY STANDARDS To assure IMG's standard of quality, every Luna Chair is inspected during each critical phase of manufacturing...over 30 times in total.

THE CHOICE ARE YOURS Low-Back and High-Back Chairs are available in different combinations of wood finishes and leather colors.

ADDED OPTIONS Matching Ottoman along with a unique Luna Table round out your options.

* **WARRANTY POLICY:** Five years on wood base and two years on leather cover.



INTERNATIONAL MÖBEL GROUP

www.imgcomfort.com • office@imgcomfort.com

Copyright © 2006 International Möbel Group